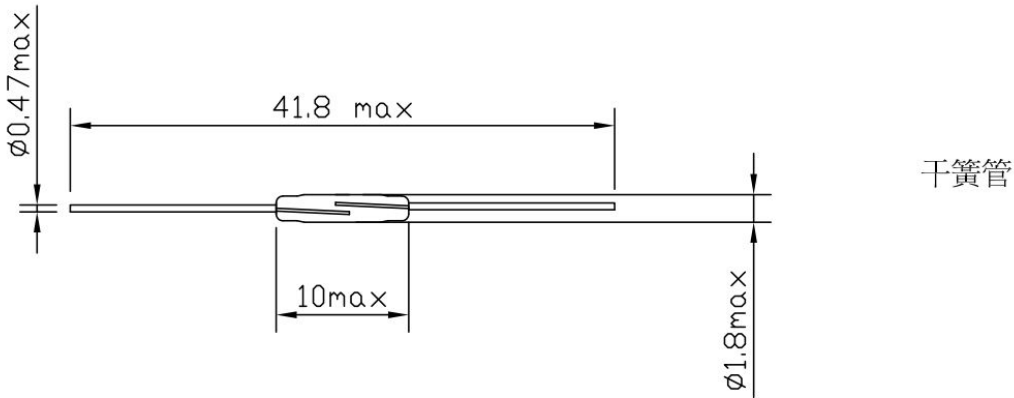
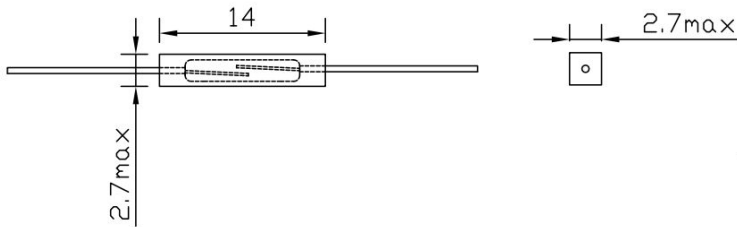


规格说明书

客户名称		产品名称		产品型号	OKD-14A
------	--	------	--	------	---------



干簧管封装



Tolerance:
 x. : $\pm 0.2\text{mm}$
 x.x : $\pm 0.1\text{mm}$

UNIT:MM
SCALE:2:1

UNIT:MM
SCALE:1:1

MATERIAL SPECIFICATION

1. Sensor Body : A . B . S black	7. Max Switching Voltage : 100 Vdc	13.pull in : MKA10110 AT0811
2. Contact from : A	8.Min Breakdown Voltage : 150 Vdc	14. Electrical Life : 5×10^6 (5 Vdc / 10 mA)
3. Temp Rating : -10 ~ +85°C	9.Max Contact Resistance : 100 mΩ	
4. Max Contact Rating : 10 W	10. Min Insulation Resistance : $10^9 \Omega$	
5.Max Switching Current : 0.5 A	11. Operate Time : 0.4 ms Max	
6.Carry Current : --	12. Release Times : 0.1 ms Max	

	Designed by	Checked by	Drawing by HAI	Drawing date 2004/02/14	Modify date 2005/8/22	Scale 1:1
--	-------------	------------	-------------------	----------------------------	--------------------------	--------------

欧卡达科技 SZ-OKD Tech.Ltd.	Filename:OKD-14A		
	Drawing NO.OKD-14A	Edition 02	1